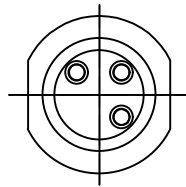
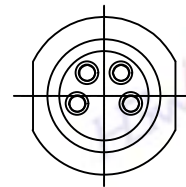


HGF2-M802P-84-11

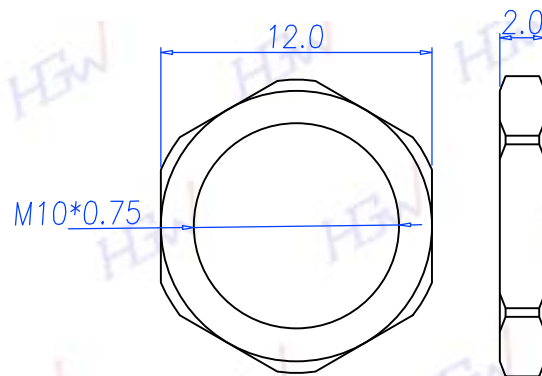
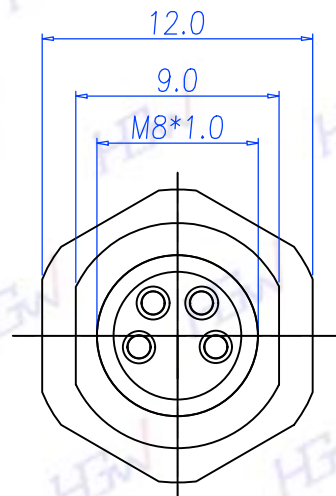
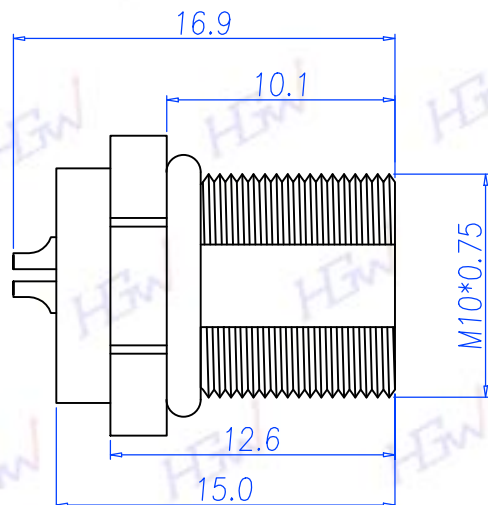


HGF2-M803P-143-11

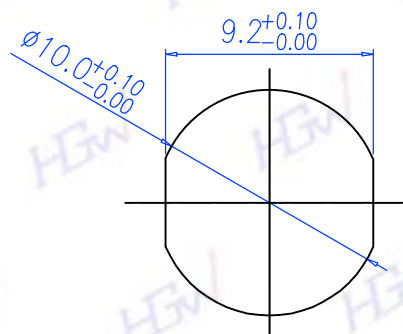


HGF2-M804P-226-11

TABLE A



NUT



RECOMMEND PANEL CUT OUT



禾剛企業有限公司  
HOU GUN ENTERPRISE CO., LTD.

REV	DESCRIPTION	DATE
A		190418

NOTE:

1.MATERIAL

- 1-1.HOUSING: PA66 ; COLOR: BLACK
- 1-2.CONTACT: BRASS
- 1-3.SHELL: BRASS
- 1-4.NUT: BRASS
- 1-5.O-RING: EPDM ; COLOR: BLACK

2.FINISH

- 2-1.CONTACT: GOLD FLASH PLATED
- 2-2.SHELL: NICKEL PLATED
- 2-3.NUT: NICKEL PLATED

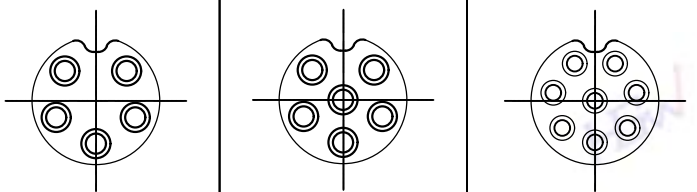
3.ELECTRICAL SPECIFICATION

- 3-1.RATED CURRENT: 4A
- 3-2.RATED VOLTAGE: 60V
- 3-3.WATERPROOF: IP67

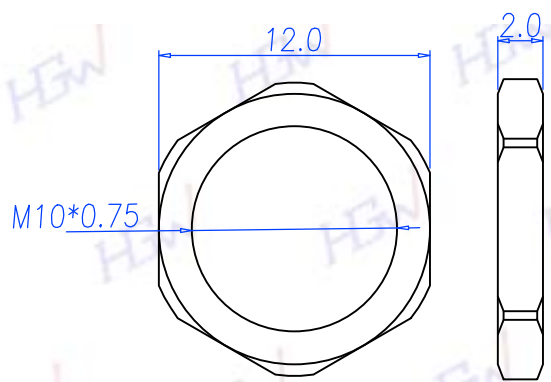
4.ENVIRONMENTAL

- 4-1.OPERATION TEMPERATURE: -40°C~105°C

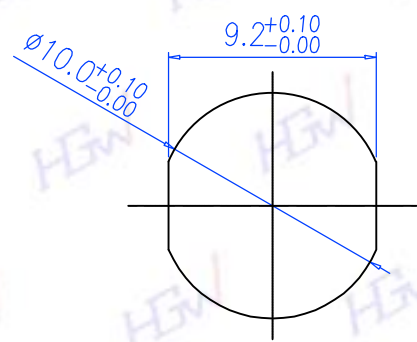
TITLE		M8前鎖母板端線式
P/N:		SEE TABLE A
DWG. NO:		HGF2-M8PANEL1
DR. Dan		UNIT: mm
CH. Jason	SCALE	3:1
AP. Lanny		UNLESS OTHERWISE SPECIFIED TOLERANCES:
REV. A	SHEET 1/1	X ± 0.1 XXX ± 0.03 XX ± 0.05 ANGLE ± 1°



HGF2-M805P-140-11    HGF2-M806P-58-11    HGF2-M808P-79-11

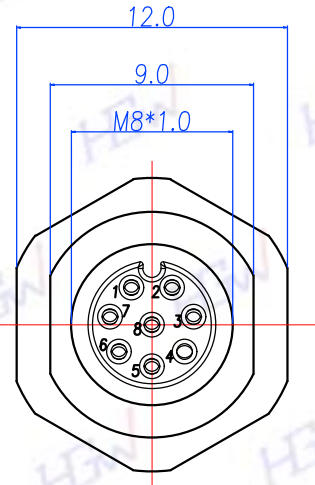
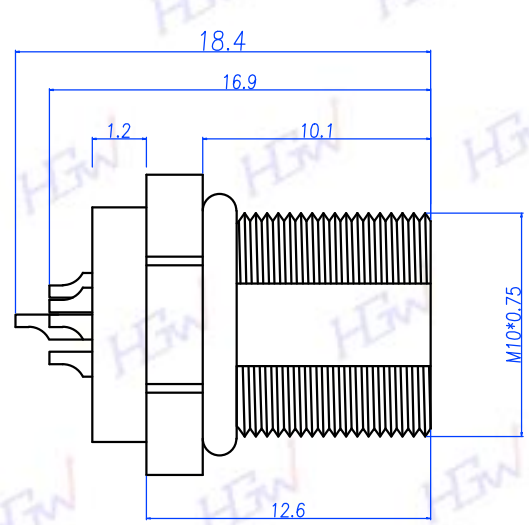


NUT



RECOMMEND PANEL CUT OUT

TABLE A



NOTE:

1.MATERIAL

- 1-1.HOUSING: PA66 ; COLOR: BLACK
- 1-2.CONTACT: BRASS
- 1-3.SHELL: BRASS
- 1-4.NUT: BRASS
- 1-5.O-RING: EPDM ; COLOR: BLACK

2.FINISH

- 2-1.CONTACT: GOLD FLASH PLATED
- 2-2.SHELL: NICKEL PLATED
- 2-3.NUT: NICKEL PLATED

3.ELECTRICAL SPECIFICATION

- 3-1.RATED CURRENT: 2A/1A(8PIN)
- 3-2.RATED VOLTAGE: 30V
- 3-3.WATERPROOF: IP67

4.ENVIRONMENTAL

- 4-1.OPERATION TEMPERATURE: -40°C~105°C



禾剛企業有限公司  
HOU GUN ENTERPRISE CO., LTD.

REV	DESCRIPTION	DATE
A		190418

TITLE		M8前鎖母組裝線式
P/N:		SEE TABLE A
DWG. NO:		HGF2-M8PANEL2
DR. Dan		UNIT: mm
CH. Jason	SCALE	3:1
AP. Lanny		UNLESS OTHERWISE SPECIFIED TOLERANCES:
REV. A	SHEET 1/1	X ± 0.1    XXX ± 0.03 XX ± 0.05    ANGLE ± 1°