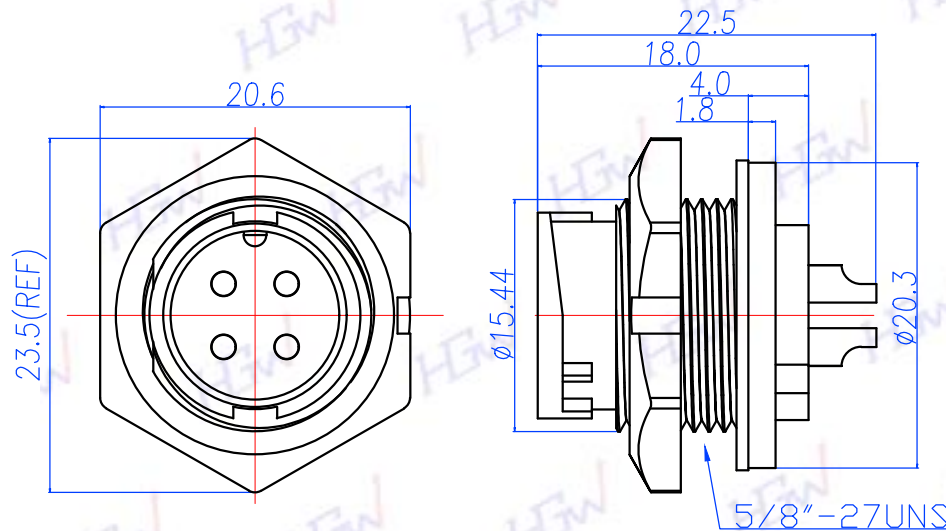
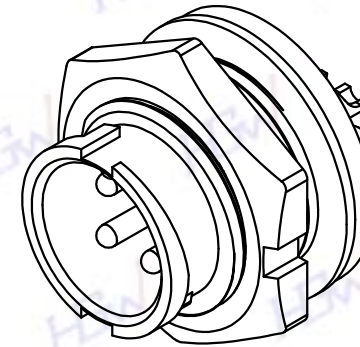
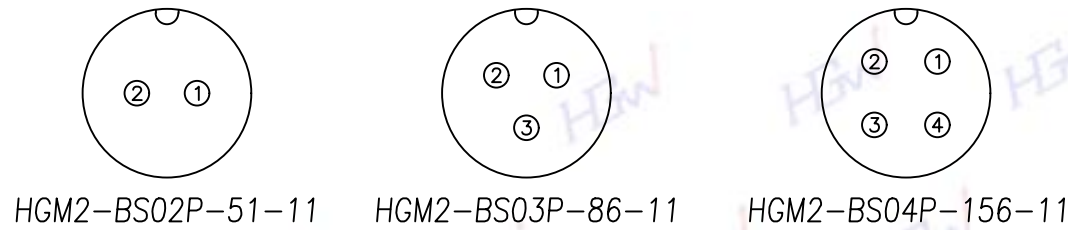




禾剛企業有限公司
HOU GUN ENTERPRISE CO., LTD.

REV	DESCRIPTION	DATE
A		160718



1. MATERIAL:

- 1-1. HOUSING: PA66
- 1-2. CONTACT: BRASS
- 1-3. GASKET: SILICONE
- 1-4. HEX NUT: PA66

2. FINISH

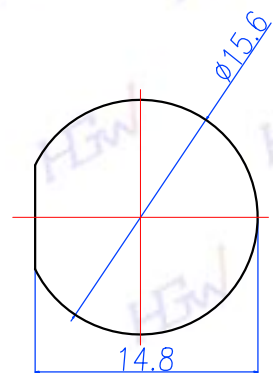
- 2-1. CONTACT: GOLD FLASH PLATED.

3. ELECTRICAL SPECIFICATION

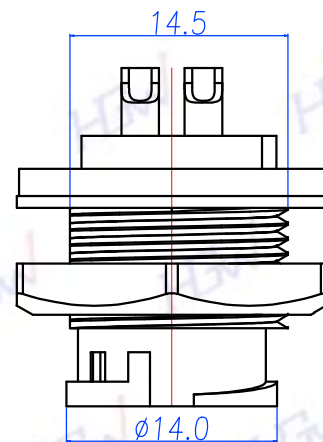
- 3-1. RATED CURRENT: 10A
- 3-2. RATED VOLTAGE: 250V
- 3-3. WATERPROOF: IP67

4. ENVIRONMENTAL:

- 4-1. OPERATION TEMPERATURE: $-40^{\circ} \sim 105^{\circ}$



RECOMMENDED PANEL CUT-OUT



TITLE B SIZE MALE PANEL (WELDED WITH WIRE)

P/N:

DWG. NO: HGM2-BSPANEL10A

DR. Dan UNIT: mm

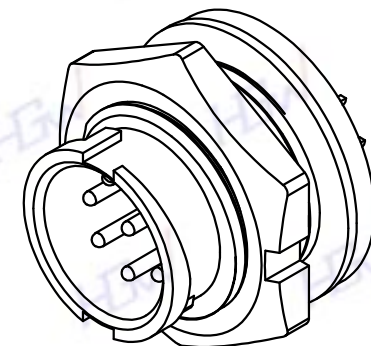
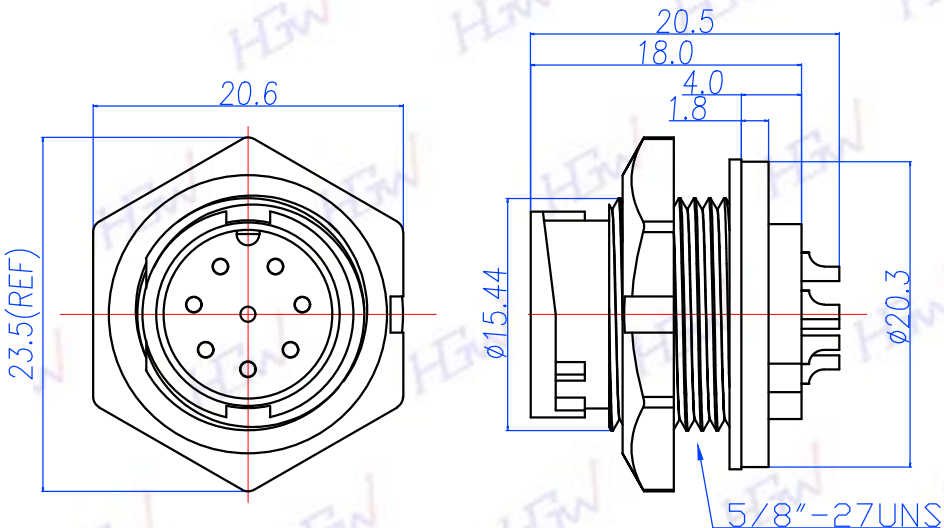
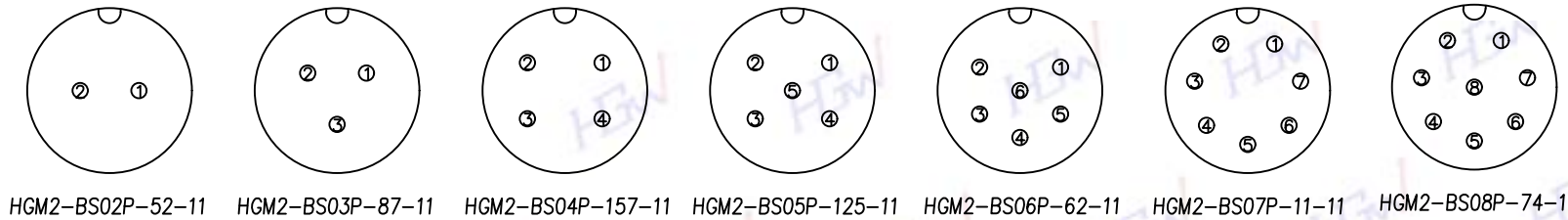
CH. Jason SCALE 2:1

AP. Lanny		UNLESS OTHERWISE SPECIFIED TOLERANCES:	
REV.	SHEET	X	± 0.1 XXX ± 0.03
A	1/1	XX	± 0.05 ANGLE ± 1°

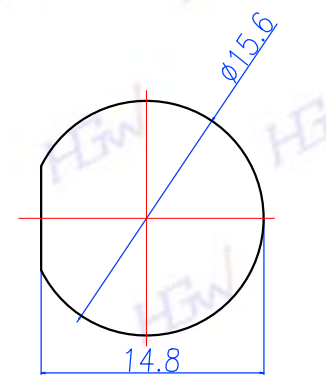


禾剛企業有限公司
HOU GUN ENTERPRISE CO., LTD.

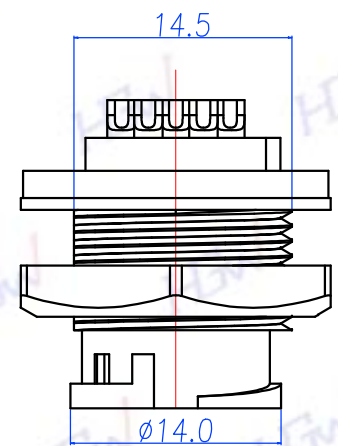
REV	DESCRIPTION	DATE
A		160718



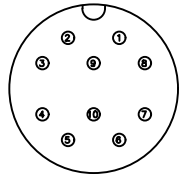
1. MATERIAL:
 - 1-1. HOUSING: PA66
 - 1-2. CONTACT: BRASS
 - 1-3. GASKET: SILICONE
 - 1-4. HEX NUT: PA66
2. FINISH
 - 2-1. CONTACT: GOLD FLASH PLATED.
3. ELECTRICAL SPECIFICATION
 - 3-1. RATED CURRENT: 5A
 - 3-2. RATED VOLTAGE: 250V
 - 3-3. WATERPROOF: IP67
4. ENVIRONMENTAL:
 - 4-1. OPERATION TEMPERATURE: $-40^{\circ} \sim 105^{\circ}$



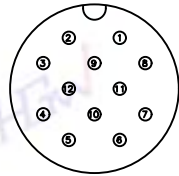
RECOMMENDED PANEL CUT-OUT



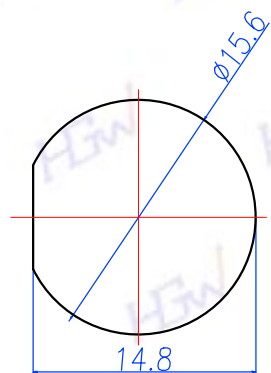
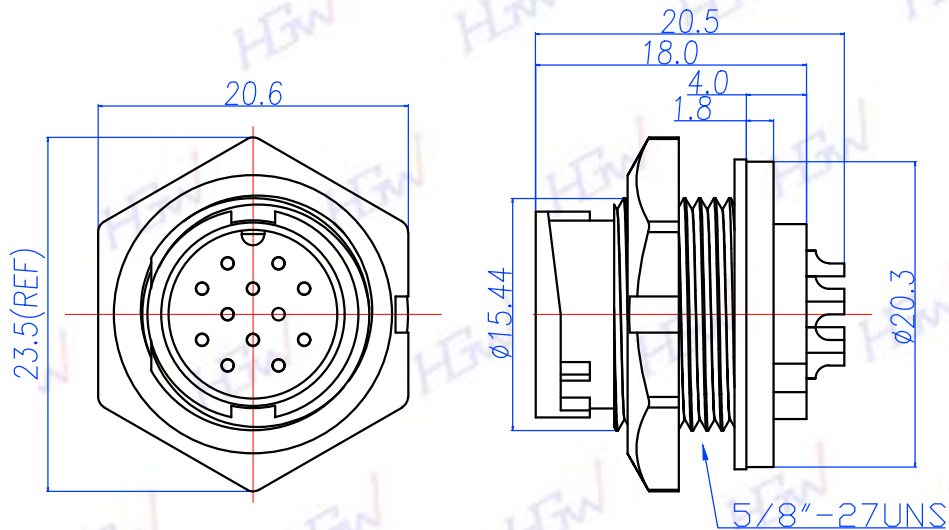
TITLE		B SIZE MALE PANEL (WELDED WITH WIRE)	
P/N:			
DWG. NO:		HGM2-BSPANEL5A	
DR. Dan		UNIT: mm	
CH. Jason	SCALE	2:1	
AP. Lanny		UNLESS OTHERWISE SPECIFIED TOLERANCES:	
REV. A	SHEET 1/1	X ± 0.1 XXX ± 0.03 XX ± 0.05 ANGLE $\pm 1^{\circ}$	



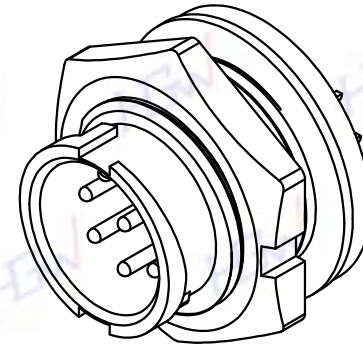
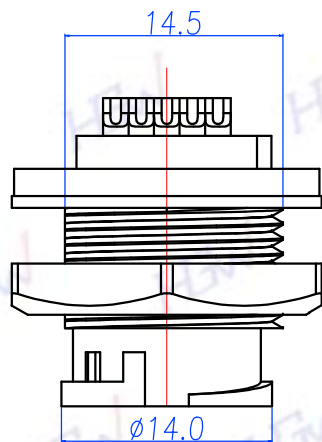
HGM2-BS10P-14-11



HGM2-BS12P-17-11



RECOMMENDED PANEL CUT-OUT



1.MATERIAL:

- 1-1.HOUSING: PA66
- 1-2.CONTACT: BRASS
- 1-3.GASKET: SILICONE
- 1-4.HEX NUT: PA66

2.FINISH

- 2-1.CONTACT: GOLD FLASH PLATED.

3.ELECTRICAL SPECIFICATION

- 3-1.RATED CURRENT: 2A
- 3-2.RATED VOLTAGE: 250V
- 3-3.WATERPROOF: IP67

4.ENVIRONMENTAL:

- 4-1.OPERATION TEMPERATURE: -40°~105°



禾剛企業有限公司
HOU GUN ENTERPRISE CO., LTD.

REV	DESCRIPTION	DATE
A		160718

TITLE B SIZE MALE PANEL
(WELDED WITH WIRE)

P/N:

DWG. NO: HGM2-BSPANEL2A

DR. Dan  UNIT:mm

CH. Jason SCALE 2:1

AP. Lanny		UNLESS OTHERWISE SPECIFIED TOLERANCES: X ± 0.1 XXX ± 0.03 XX ± 0.05 ANGLE ± 1°
REV. A	SHEET 1/1	