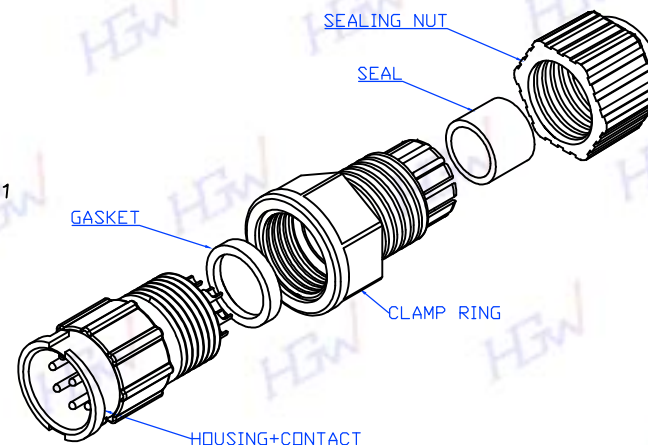
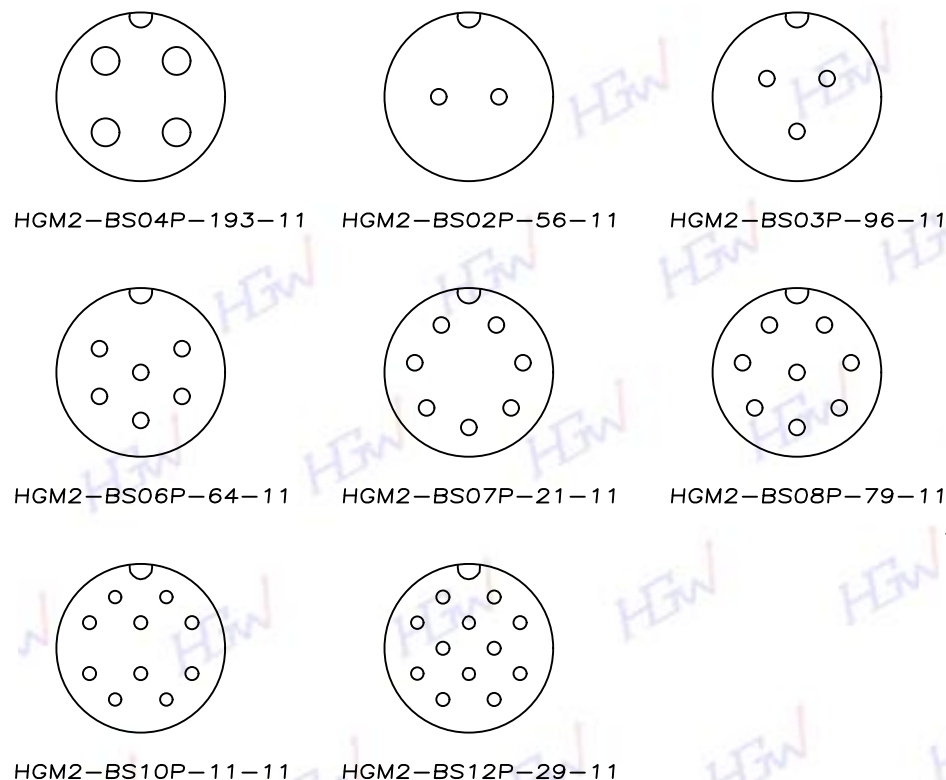




禾剛企業有限公司
HOU GUN ENTERPRISE CO., LTD.

REV	DESCRIPTION	DATE
A		160718



1. MATERIAL:

- 1-1. HOUSING: PA66
- 1-2. CONTACT: BRASS
- 1-3. GASKET: SILICONE
- 1-4. CLAMP RING: PA66
- 1-5. SEAL: SILICONE
- CABLE OD $\phi 4.5\text{mm} \sim 6.5\text{mm}$
- 1-6. SEALING NUT: PA66

2. FINISH

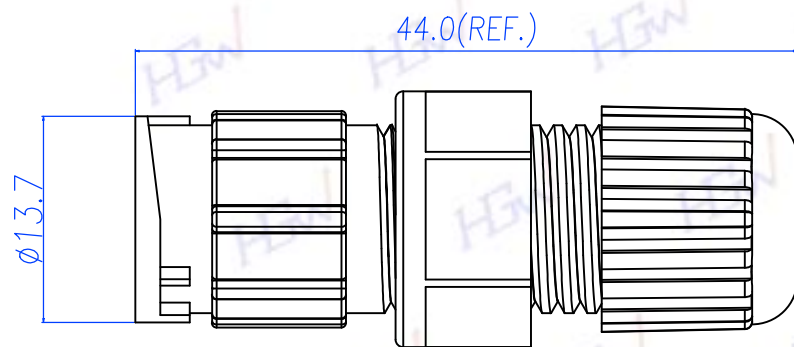
- 2-1. CONTACT: GOLD FLASH PLATED.

3. ELECTRICAL SPECIFICATION

- 3-1. RATED CURRENT: 4P: 10A
2, 3, 6~8P: 5A
10, 12P: 2A
- 3-2. RATED VOLTAGE: 250V
- 3-3. WATERPROOF: IP67

4. ENVIRONMENTAL:

- 4-1. OPERATION
TEMPERATURE: $-40^{\circ} \sim 105^{\circ}$

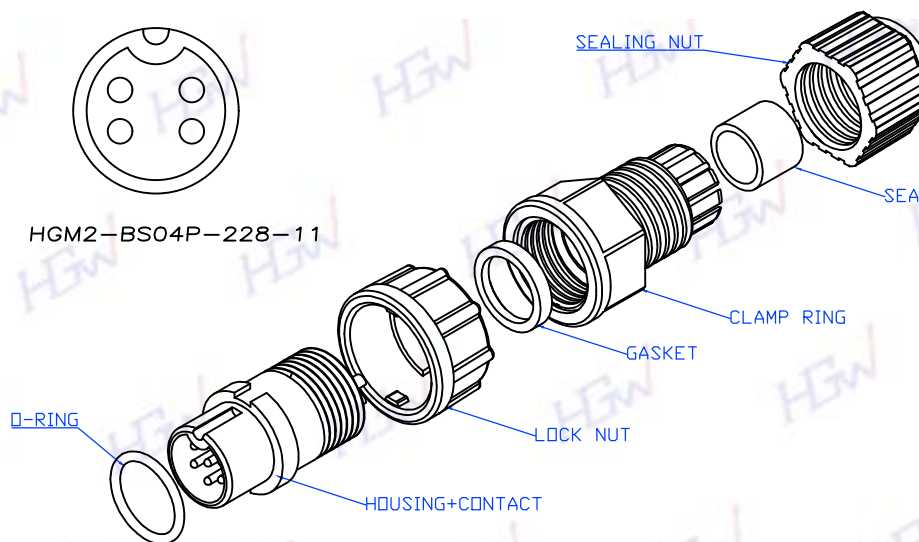
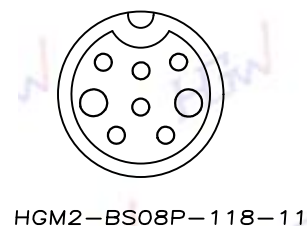
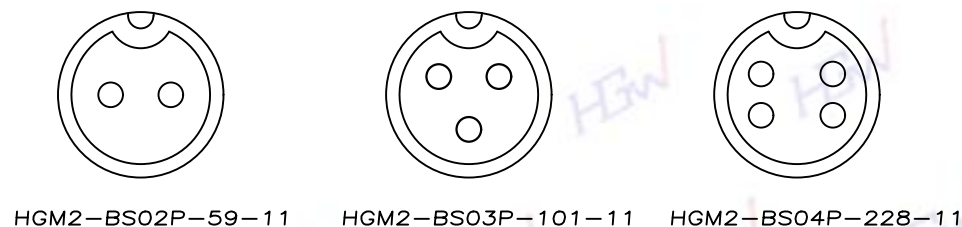


TITLE		
B SIZE MALE ASSEMBLY		
P/N:		
DWG. NO: HGM2-BSASSYMM		
DR. Dan		UNIT: mm
CH. Jason	SCALE	2:1
AP. Lanny		UNLESS OTHERWISE SPECIFIED TOLERANCES:
REV. A	SHEET 1/1	X ± 0.1 XXX ± 0.03 XX ± 0.05 ANGLE $\pm 1^{\circ}$



禾剛企業有限公司
HOU GUN ENTERPRISE CO., LTD.

REV	DESCRIPTION	DATE
A		160718



1. MATERIAL:

- 1-1. HOUSING: PA66
- 1-2. CONTACT: BRASS
- 1-3. GASKET: SILICONE
- 1-4. CLAMP RING: PA66
- 1-5. SEAL: SILICONE
- 1-6. SEALING NUT: PA66

CABLE OD ϕ 4.5mm~6.5mm

2. FINISH

- 2-1. CONTACT: GOLD FLASH PLATED.

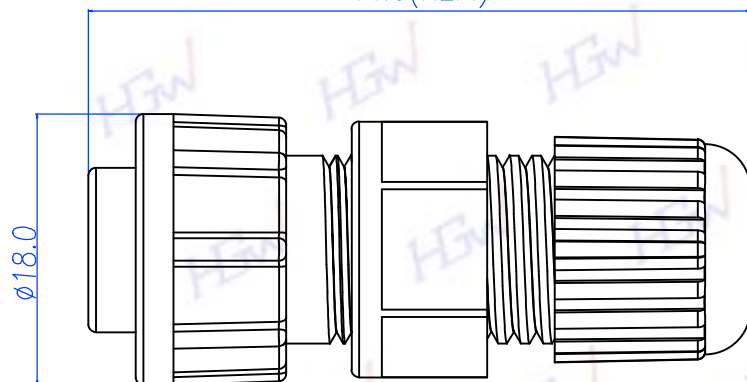
3. ELECTRICAL SPECIFICATION

- 3-1. RATED CURRENT: 5A
8P:5A+2A
- 3-2. RATED VOLTAGE: 250V
- 3-3. WATERPROOF: IP67

4. ENVIRONMENTAL:

- 4-1. OPERATION
TEMPERATURE: -40 $^{\circ}$ ~105 $^{\circ}$

44.0(REF.)



TITLE
B SIZE MALE ASSEMBLY

P/N:

DWG. NO: HGM2-BSASSYFM

DR. Dan UNIT: mm

CH. Jason SCALE 2:1

AP. Lanny UNLESS OTHERWISE SPECIFIED TOLERANCES:

REV.	SHEET	X ± 0.1	XXX ± 0.03
A	1/1	XX ± 0.05	ANGLE ± 1 $^{\circ}$