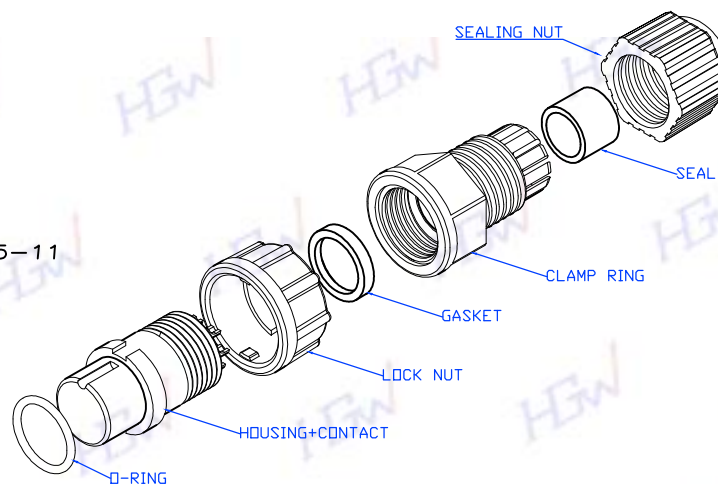
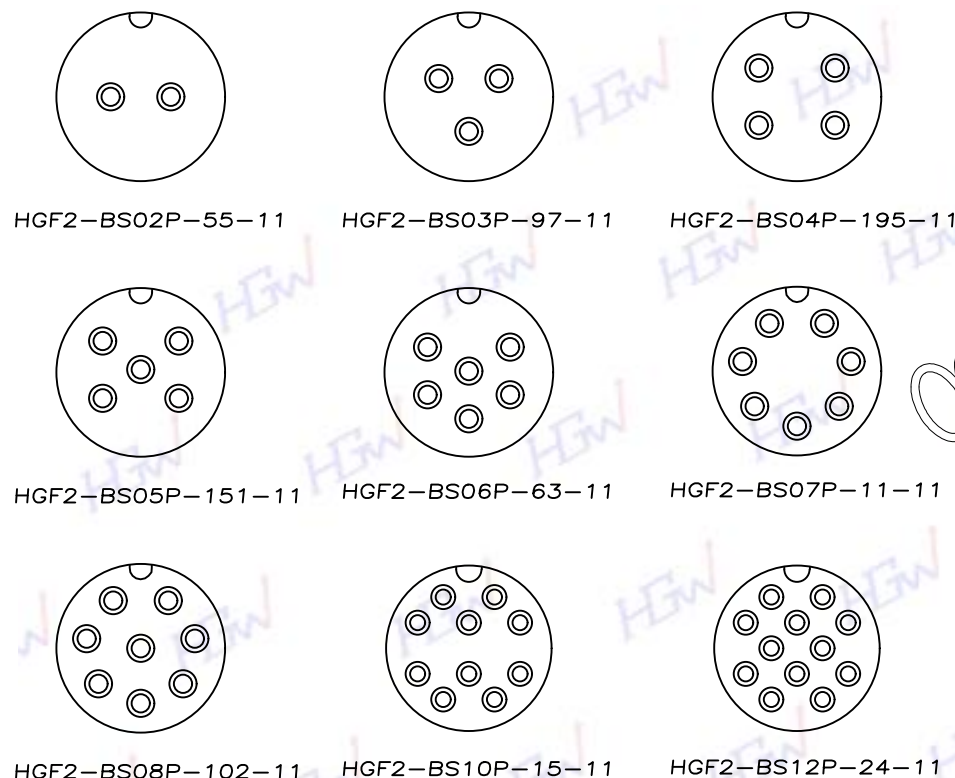




禾剛企業有限公司
HOU GUN ENTERPRISE CO., LTD.

REV	DESCRIPTION	DATE
A		160718



1.MATERIAL:

- 1-1.HOUSING: PA66
 - 1-2.CONTACT: BRASS
 - 1-3.GASKET: SILICONE
 - 1-4.CLAMP RING: PA66
 - 1-5.SEAL: SILICONE
 - 1-6.SEALING NUT: PA66
- CABLE OD ϕ 4.5mm~6.5mm

2.FINISH

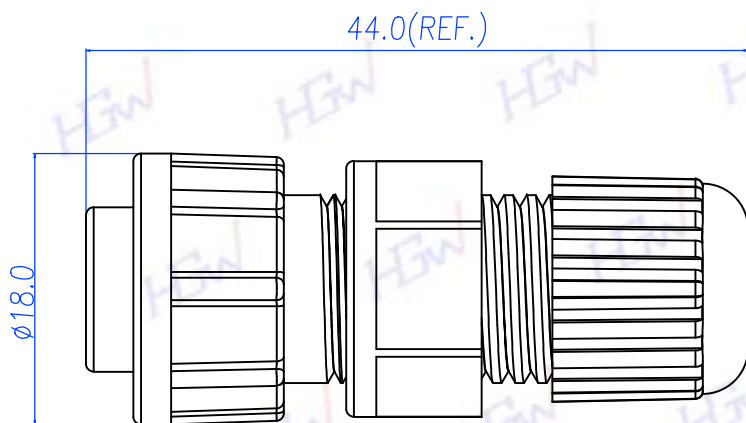
- 2-1.CONTACT: GOLD FLASH PLATED.

3.ELECTRICAL SPECIFICATION

- 3-1.RATED CURRENT: 5A
- 3-2.RATED VOLTAGE: 250V
- 3-3.WATERPROOF: IP67

4.ENVIRONMENTAL:

- 4-1.OPERATION
- TEMPERATURE: $-40^{\circ}\sim 105^{\circ}$

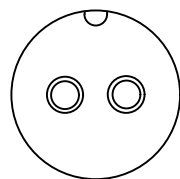


TITLE		
B SIZE FEMALE ASSEMBLY		
P/N:		
DWG. NO: HGF2-BSASSYFF5A		
DR. Dan		UNIT: mm
CH. Jason	SCALE	2:1
AP. Lanny	UNLESS OTHERWISE SPECIFIED TOLERANCES:	
REV. A	SHEET 1/1	X ± 0.1 XXX ± 0.03 XX ± 0.05 ANGLE $\pm 1^{\circ}$

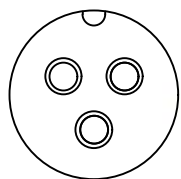


禾剛企業有限公司
HOU GUN ENTERPRISE CO., LTD.

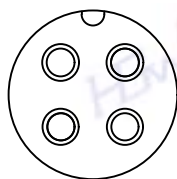
REV	DESCRIPTION	DATE
A		160718



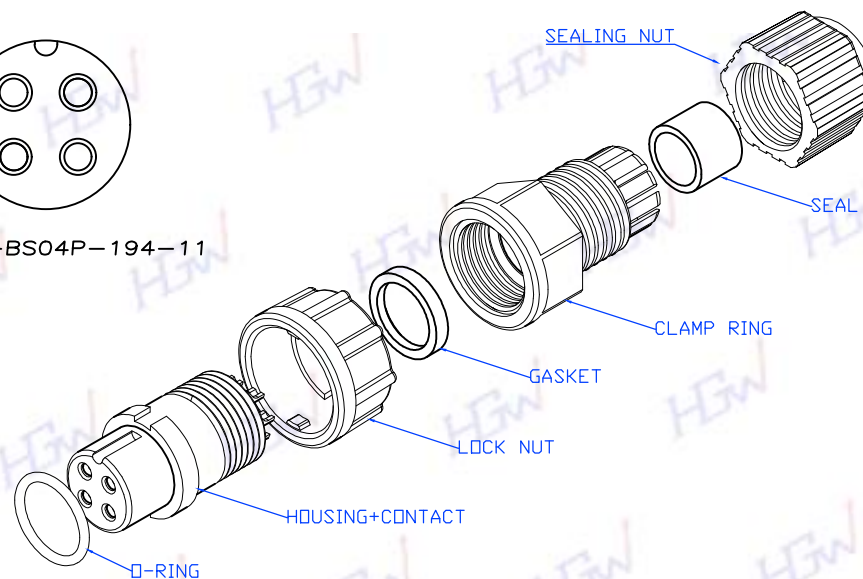
HGF2-BS02P-54-11



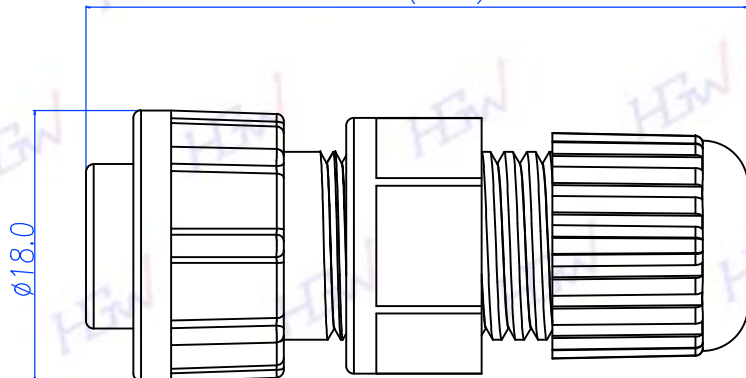
HGF2-BS03P-96-11



HGF2-BS04P-194-11



44.0(REF.)



∅18.0

1.MATERIAL:

- 1-1.HOUSING: PA66
- 1-2.CONTACT: BRASS
- 1-3.GASKET: SILICONE
- 1-4.CLAMP RING: PA66
- 1-5.SEAL: SILICONE
- CABLE OD∅4.5mm~6.5mm
- 1-6.SEALING NUT: PA66

2.FINISH

- 2-1.CONTACT: GOLD FLASH PLATED.

3.ELECTRICAL SPECIFICATION

- 3-1.RATED CURRENT: 10A
- 3-2.RATED VOLTAGE: 250V
- 3-3.WATERPROOF: IP67

4.ENVIRONMENTAL:

- 4-1.OPERATION
- TEMPERATURE: -40°~105°

TITLE		B SIZE FEMALE ASSEMBLY	
P/N:			
DWG. NO: HGF2-BSASSYFF10A			
DR. Dan		UNIT: mm	
CH. Jason	SCALE	2:1	
AP. Lanny	UNLESS OTHERWISE SPECIFIED TOLERANCES:		
REV. A	SHEET 1/1	X ± 0.1	XXX ± 0.03
		XX ± 0.05	ANGLE ± 1°