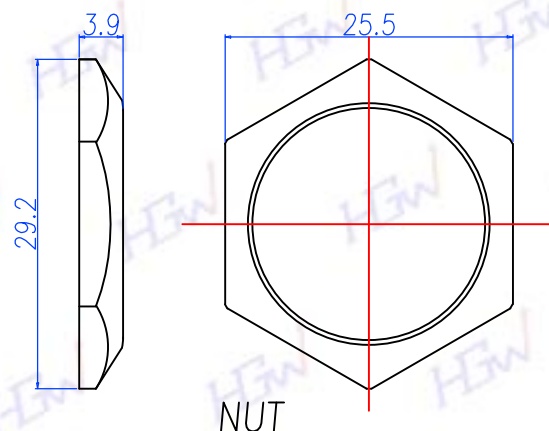
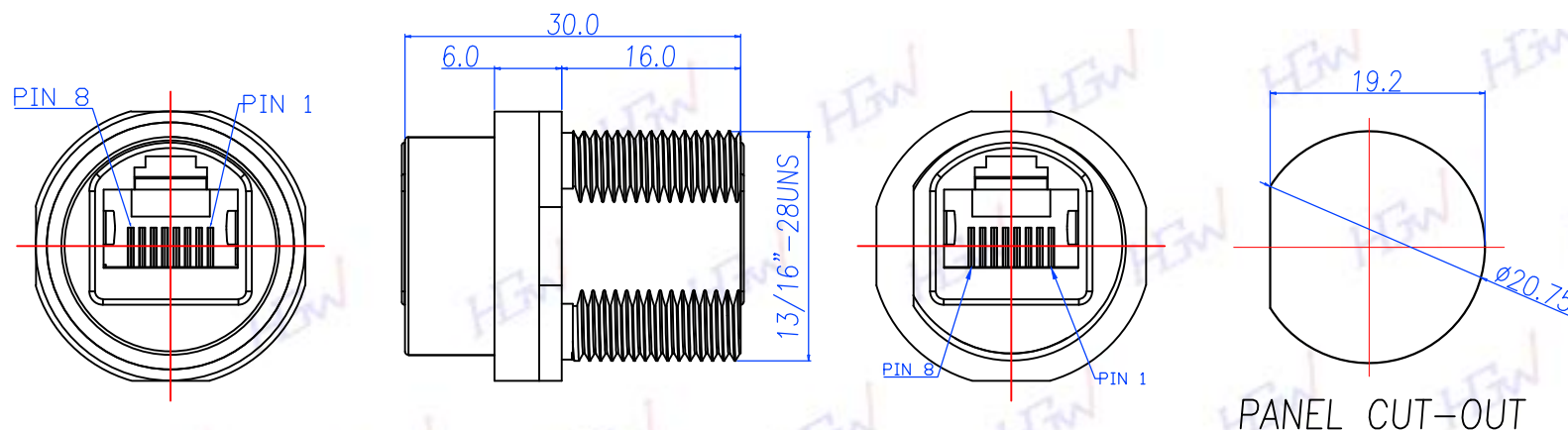


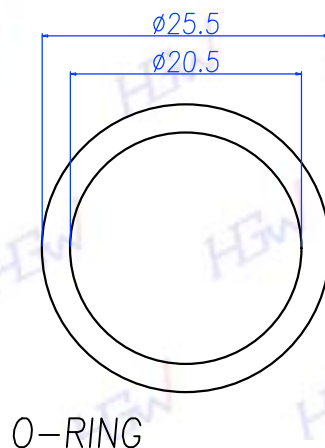


禾剛企業有限公司
HOU GUN ENTERPRISE CO., LTD.

| REV | DESCRIPTION | DATE |
|-----|-------------|--------|
| A | | 100615 |



NUT



O-RING

1.MATERIAL:

- 1-1.HOUSING: PBT UL94V-0; COLOR: BLACK
- 1-2.CONTACT: PHOSPHOR BRONZE
- 1-3.SHELL: ZINC ALLOY
- 1-4.GROUND: SUS301
- 1-5.O-RING: EPDM; COLOR: BLACK
- 1-6.NUT: BRASS

2.FINISH

- 2-1.CONTACT: GOLD FLASH MICRO INCHES MIN.
- 2-2.NUT: NICKEL PLATED
- 2-3.SHELL: NICKEL PLATED
- 2-4.GROUND: NICKEL PLATED

3.ELECTRICAL

- 3-1.RATED CURRENT: 2A
- 3-2.RATED VOLTAGE: 250V
- 3-3.WATERPROOF: IP67

4.ENVIRONMENTAL:

- 4-1.OPERATION TEMPERATURE: -40°~85°

PANEL CUT-OUT

| | | |
|------------------------|-----------|--|
| TITLE | | |
| RJ45金屬對母轉接頭 | | |
| P/N: HGF2-RJ08P-04-11 | | |
| DWG. NO: HGRJ-8PFTOFAD | | |
| DR. Dan | | UNIT:mm |
| CH. Jason | SCALE | 1:1 |
| AP. Lanny | | UNLESS OTHERWISE SPECIFIED TOLERANCES: |
| REV. A | SHEET 1/1 | X ± 0.1 XXX ± 0.03 XX ± 0.05 ANGLE ± 1° |