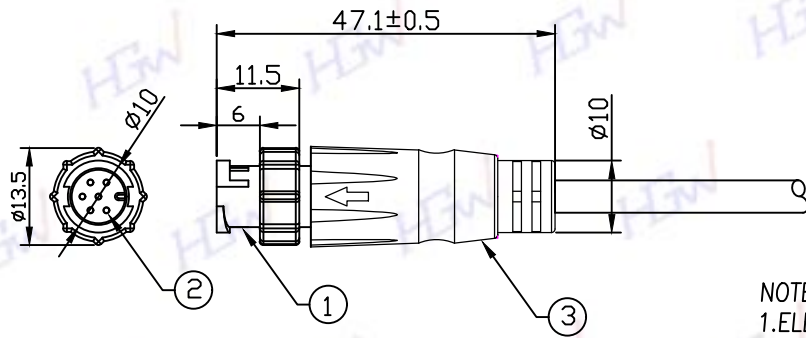


HGM05-AS02P-CB HGM05-AS02P-CB HGM02-AS04P-CB HGM02-AS05P-CB HGM02-AS06P-CB



NOTES:

1.ELECTRICAL SPECIFICATION

- 1-1.RATED CURRENT: 5A/2A
- 1-2.RATED VOLTAGE: 250V
- 1-3.WATERPROOF: IP67

2.ENVIRONMENTAL

- 2-1.OPERATION TEMPERATURE: -20°C~80°C

3.PART NUMBER SPECIFICATION

- 3-1.HGMxx-ASxxP-CB

- 02 - 2 PIN 05 - 5 PIN
- 03 - 3 PIN 06 - 6 PIN
- 04 - 4 PIN

- 1.CONNECTOR: A SIZE MALE CONNECTOR ,for1
- 2.CONTACT: BRASS,MALE PIN,GOLD FLASH ,forN
- 3.MOLDING: PVC ,for1

- 05-CURRENT RATING 5A
- 02-CURRENT RATING 2A



禾剛企業有限公司  
HOU GUN ENTERPRISE CO., LTD.

REV	DESCRIPTION	DATE
A		220106

客戶簽名確認章

TITLE  
CIRCULAR A SIZE LOCK TYPE  
MALE CABLE

P/N:

DWG. NO: HGMxx-ASxxP-CB

DR. Dan  UNIT: mm

CH. Jason SCALE 1:1

AP. Lanny UNLESS OTHERWISE SPECIFIED TOLERANCES:

REV.	SHEET	TOLERANCES
A	1/1	X ± 0.20 XXX ± 0.05 XX ± 0.10 ANGLE ± 1°