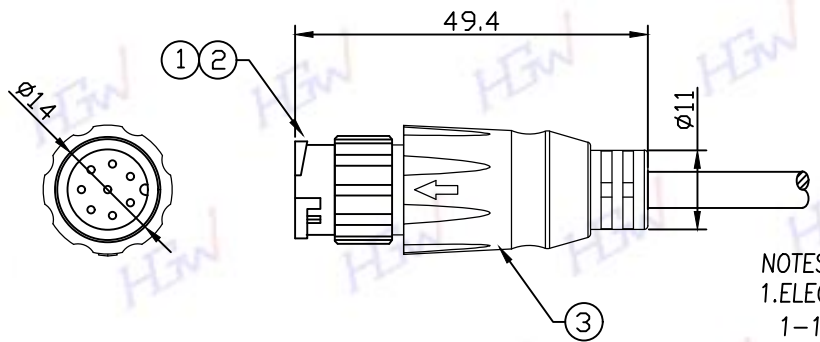
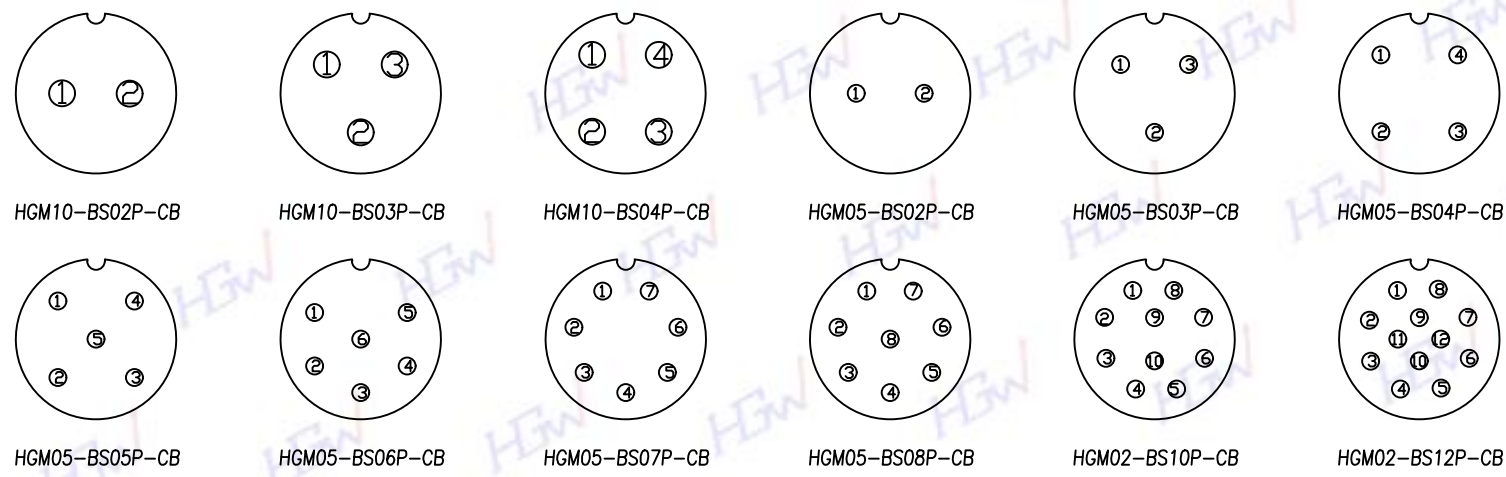




禾剛企業有限公司
HOU GUN ENTERPRISE CO., LTD.

REV	DESCRIPTION	DATE
A		220105



- NOTES:
- ELECTRICAL SPECIFICATION
 - 1-1. RATED CURRENT: 10/5/2 A
 - 1-2. RATED VOLTAGE: 250V
 - 1-3. WATERPROOF: IP67
 - ENVIRONMENTAL
 - 2-1. OPERATION TEMPERATURE: -20°~80°C
 - PART NUMBER SPECIFICATION
 - 3-1. HGMxx-BSxxP-CB
- | | |
|--------------|--------------|
| 02 - 02 PINS | 07 - 07 PINS |
| 03 - 03 PINS | 08 - 08 PINS |
| 04 - 04 PINS | 10 - 10 PINS |
| 05 - 05 PINS | 12 - 12 PINS |
| 06 - 06 PINS | |
- 10-CURRENT RATING 10A
05-CURRENT RATING 5A
02-CURRENT RATING 2A

- CONNECTOR: B SIZE MALE CONNECTOR ,for1
- CONTACT: BRASS,MALE PIN,GOLD FLASH ,forN
- MOLDING: PVC ,for1

客戶簽名確認章

TITLE
CIRCULAR B SIZE LOCK TYPE
MALE CABLE

P/N:	
DWG. NO: HGMxx-BSxxP-CB	
DR. Dan	UNIT: mm
CH. Jason	SCALE 1:1
AP. Lanny	UNLESS OTHERWISE SPECIFIED TOLERANCES:
REV. A	SHEET 1/1
	x ± 0.20 xxx ± 0.05 xx ± 0.10 ANGLE ± 1°