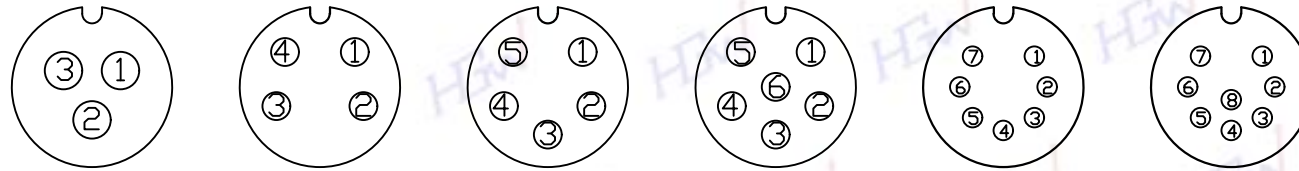


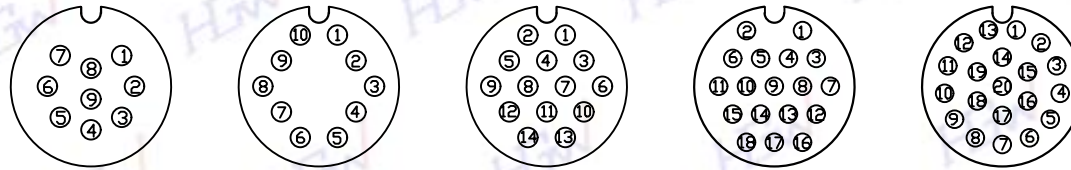


禾剛企業有限公司
HOU GUN ENTERPRISE CO., LTD.

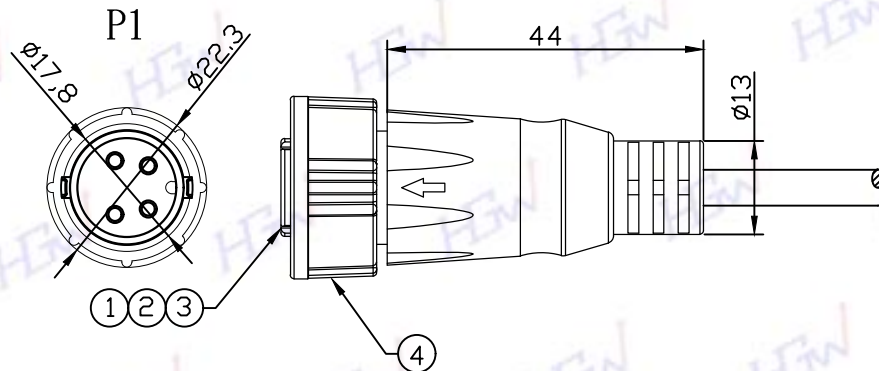
REV	DESCRIPTION	DATE
A		220106



HGF20-CS03P-CB HGF10-CS04P-CB HGF10-CS05P-CB HGF10-CS06P-CB HGF05-CS07P-CB HGF05-CS07P-CB



HGF05-CS09P-CB HGF02-CS10P-CB HGF02-CS14P-CB HGF02-CS18P-CB HGF02-CS20P-CB



NOTES:

1.ELECTRICAL SPECIFICATION

- 1-1.RATED CURRENT: 20A/10A/5A/2A
- 1-2.RATED VOLTAGE: 250V
- 1-3.WATERPROOF: IP67

2.ENVIRONMENTAL

- 2-1.OPERATION TEMPERATURE: -20°~80°C

3.PART NUMBER SPECIFICATION

- 3-1.HGFxx-CSxxP-CB

03 - 3 PINS	04 - 4 PINS
05 - 5 PINS	06 - 6 PINS
07 - 7 PINS	08 - 8 PINS
09 - 9 PINS	10 - 10 PINS
14 - 14 PINS	18 - 18 PINS
20 - 20 PINS	

- 1.CONNECTOR: C SIZE FEMALE CONNECTOR ,for1
- 2.CONTACT: BRASS,FEMALE PIN,GOLD FLASH ,forN
- 3.LOCK NUT: NYLON+GF ,for1
- 4.O-RING: SILICON ,for1
- 5.MOLDING: PVC ,for1

- 20-CURRENT RATING 20A
- 10-CURRENT RATING 10A
- 05-CURRENT RATING 5A
- 02-CURRENT RATING 2A

客戶簽名確認章

TITLE
CIRCULAR C SIZE LOCK TYPE
FEMALE CABLE

P/N:

DWG. NO: HGFxx-CSxxP-CB

DR. Dan UNIT: mm

CH. Jason SCALE 1:1

AP. Lanny UNLESS OTHERWISE SPECIFIED TOLERANCES:

REV.	SHEET	TOLERANCES
A	1/1	X ± 0.20 XXX ± 0.05 XX ± 0.10 ANGLE ± 1°