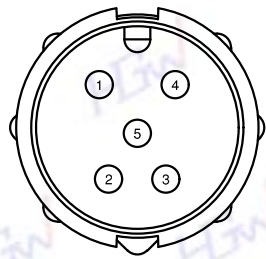
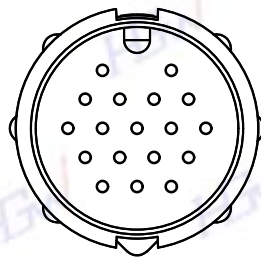


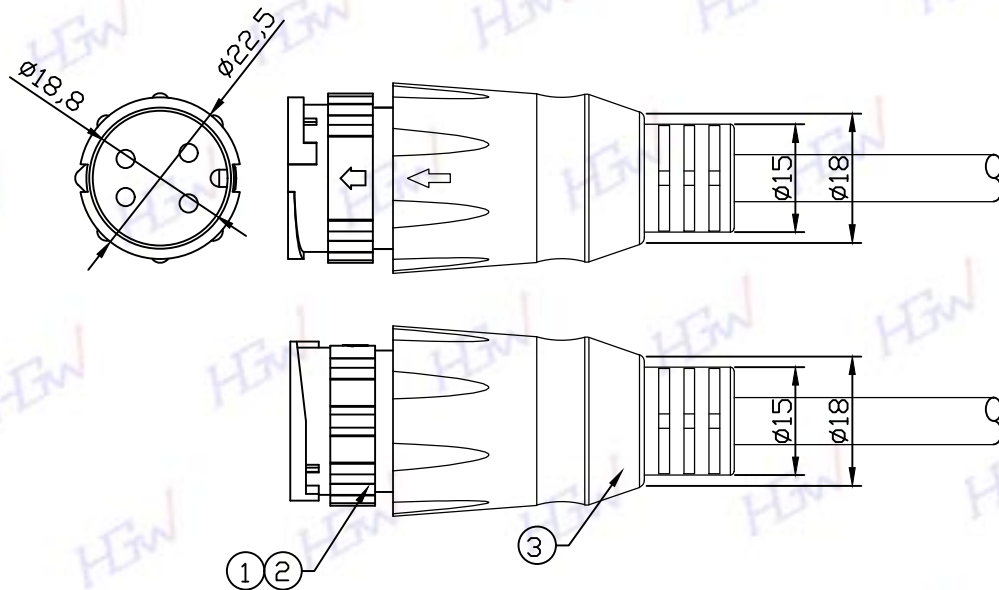
HGM20-DS04P-CB



HGM20-DS04P-CB



HGM05-DS18P-CB



- 1.CONNECTOR: C SIZE MALE CONNECTOR ,for1
- 2.CONTACT: BRASS,MALE PIN,GOLD FLASH ,forN
- 3.MOLDING: PVC ,for1

NOTES:

- 1.ELECTRICAL SPECIFICATION
 - 1-1.RATED CURRENT: 20A/5A
 - 1-2.RATED VOLTAGE: 300V
 - 1-3.WATERPROOF: IP67
- 2.ENVIRONMENTAL
 - 2-1.OPERATION TEMPERATURE: -20~80°C
- 3.PART NUMBER SPECIFICATION
 - 3-1.HGMxx-DSxxP-CB

- 04 - 4 PINS
- 05 - 5 PINS
- 18 - 18 PINS

- 20-CURRENT RATING 20A
- 05-CURRENT RATING 5A



禾剛企業有限公司
HOU GUN ENTERPRISE CO., LTD.

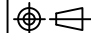
REV	DESCRIPTION	DATE
A		220106

客戶簽名確認章

TITLE
CIRCULAR D SIZE LOCK TYPE
MALE CABLE

P/N:

DWG. NO: HGMxx-DSxxP-CB

DR. Dan  UNIT: mm

CH. Jason SCALE 1:1

AP. Lanny UNLESS OTHERWISE SPECIFIED TOLERANCES:

REV.	SHEET	x ± 0.20	xxx ± 0.05
A	1/1	xx ± 0.10	ANGLE ± 1°